

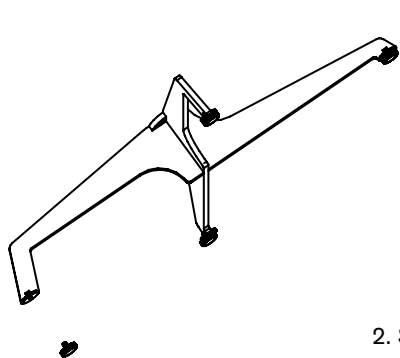
folding & nesting Legs

by drake

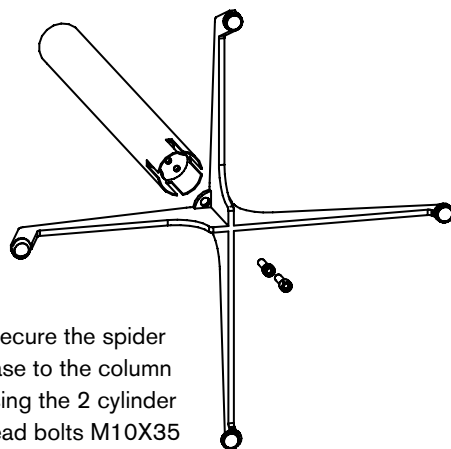
ASSEMBLY INSTRUCTIONS FOR TABLES WITH FOLDING & NESTING LEGS

THE BOXES CONTAIN:

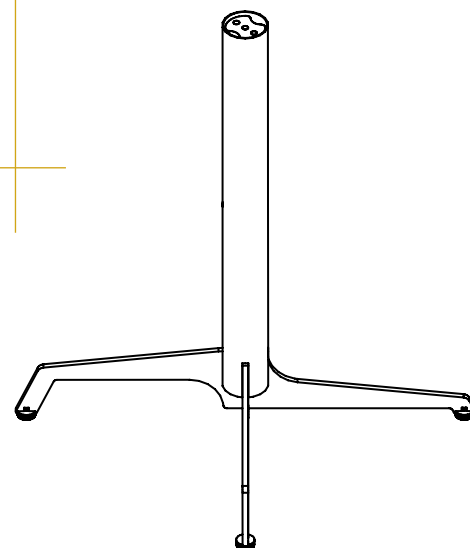
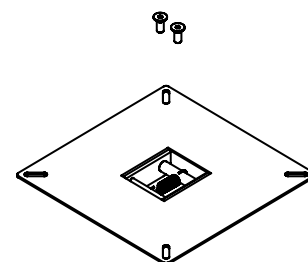
- n. 1 top folding plate
- n. 1 spider base
- n. 1 column Ø60mm L 630mm
- n. 2 countersunk bolts M10X25 secure the top folding plate to the column
- n. 2 cylinder head bolts M10X35 secure the spider base to the column
- n. 4 bolts secure the top folding plate to the table top
- n. 4 washers
- n. 4 adjustable feet
- n. 2 Allen keys



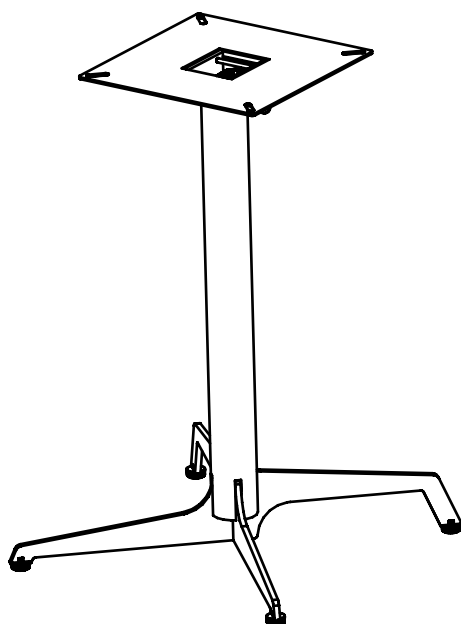
1. Screw the adjustable feet into the spider base receptacles



2. Secure the spider base to the column using the 2 cylinder head bolts M10X35



3. Open the top folding plate and insert the 2 countersunk bolts M10X25. Place the top folding plate onto the column and use the allen key to secure the bolts.

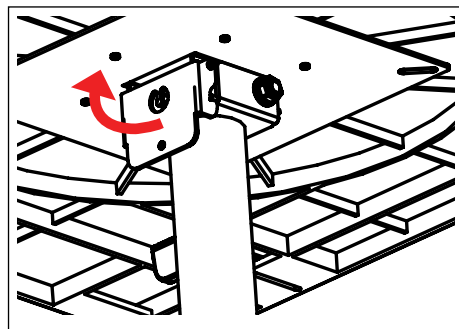
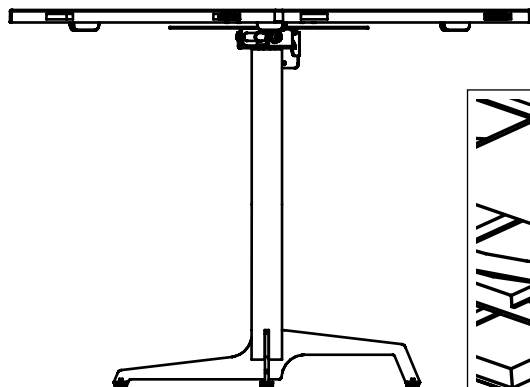
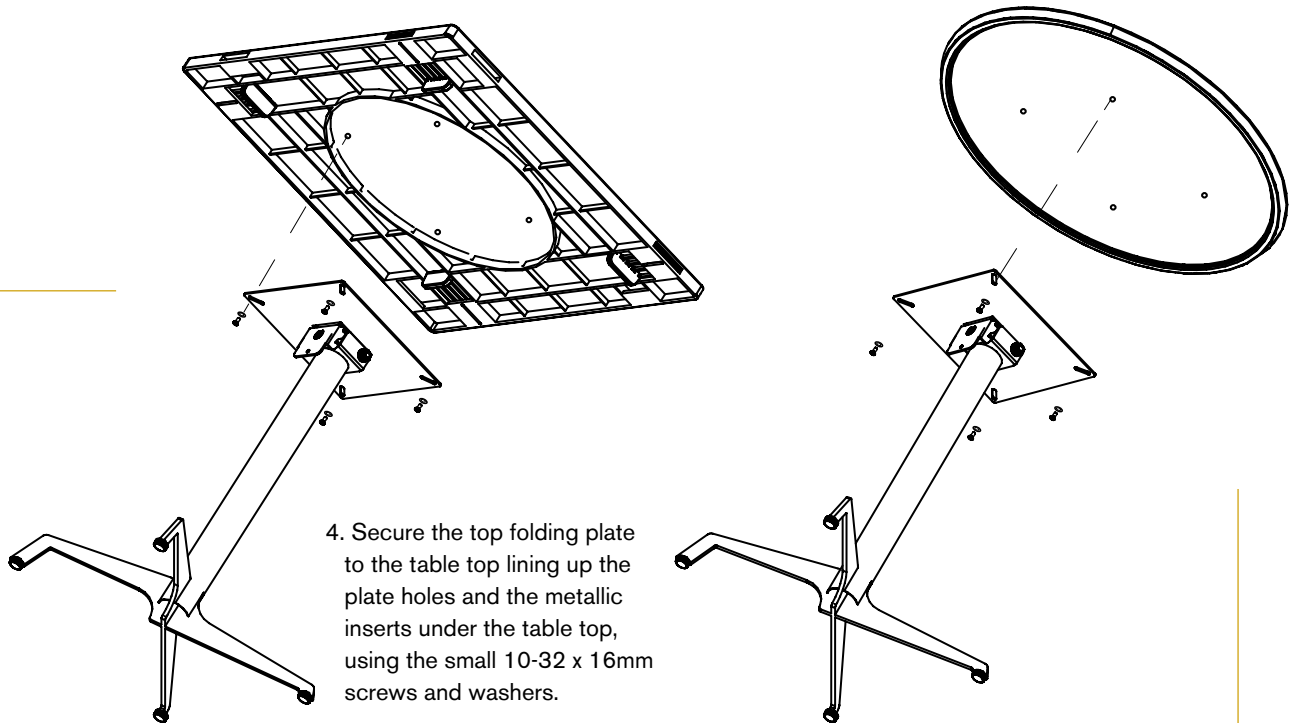


ATTENTION: to increase stability, bolts are pre-treated with thread lock (Loctite).

folding & nesting Legs

by drake

ASSEMBLY INSTRUCTIONS FOR TABLES WITH FOLDING & NESTING LEGS



5. Lift the handle to disengage the lock and fold the table top to the vertical position for storage.

