



Ispra

by Drake

folding stacking
and **interlocking** chair



- **Italian Design**
- **Comfortable**
- **Strong and Durable**
- **Easy to clean, never needs painting**
- **Easily stackable vertically as well as horizontally**

**Made
in
USA**



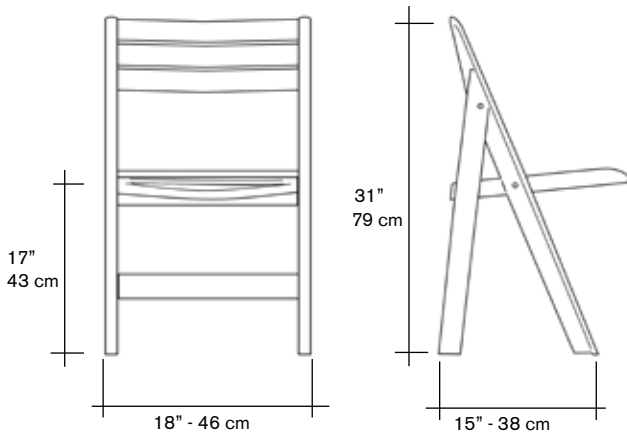
Ispra

Ispra is the perfect OUTDOOR folding chair. It folds perfectly flat to 2 3/4". Guaranteed resistant to all weather conditions and UV rays, it is easily cleaned using water and a neutral liquid detergent. Sold in stacks of 25. Linking armrest available as an accessory for Ispra chairs.

MATERIAL: composite multi-layer techno-polymer, stainless steel hardware.

Ispra meets and exceeds the standards set forth in ISO 7173, ANSI/BIFMA X5.1-1993 and ANSI/BIFMA X5.4-1997

Available in **white, green.**



WEIGHT: 11 lbs

DIMENSIONS:

Seat: 15 1/2 x 15 1/2 x 18 h [in.]
Folded: 35 x 18 x 2 3/4 [in.]
Stack of 25: 18 x 35 x 71 h [in.]



Each chair has 4 locking buttons for easy stacking.



Easy storage and handling

25 Ispra chairs can be stacked on a resin base which can be easily handled with a handtruck or a palletjack. Four legs can be attached to the base for convenient palletizing. Four casters may be used to convert the resin base into an easy move around Ispra dolly.



Ispra linking armrest (optional)

One or more chairs can be aligned and linked with our linking armrest. Snap in - snap out no tools required.