

www.drakecorp.com

DRAKE CORP. • 154 Tices Lane • East Brunswick NJ 08816 • Tel. +1 732 254 1530 • Fax +1 732 254 3509 • email: contactUS@drakecorp.com

CHAIR TO CHAIR



Chip-R



**“R” as in...
RESPECT for the
ENVIRONMENT**



NEW • NEW CHAIRS by DRAKE, and going toward a GREEN direction. Our new line of folding chairs is made of plastic recycled materials for the environmentally friendly market. Colors available are light brown, gray, mauve and aquamarine.

WHAT • The biggest challenge, was to be able to UP-QUALIFY the plastic recycled compound, mixing it with secret ingredients in order to provide chairs that respect our tough requirements in terms of strength and quality.

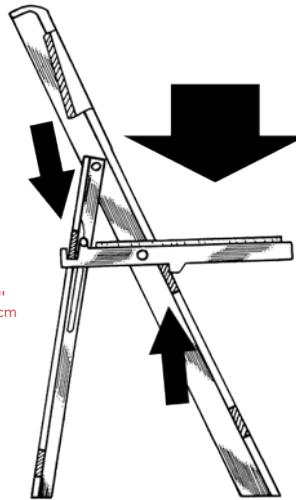
WHY • Environmental sensitivity, without compromising the demanding performances requested from our regular chairs... the best on the market of course.

Chip-R FOLDING & STACKING CHAIR

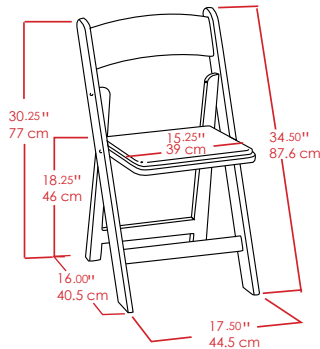
The new recycled chairs have the same longevity of our traditional chairs. The main difference with chairs made with virgin material is color: they are not made in white. Our new recycled chairs are available in a range of soft colors. Due to the fact that we cannot contrast colors from previous applications, the colors in recycled chairs are rich with shades resembling the natural variety that can be found in wood materials.

CHIP-R chairs are manufactured with our own dual density post industrial recycled RESIN plus GAS system. Resin is FIBERGLASS ADDED for maximum resistance. The result is another incredible, exceptionally strong, and good looking chair, by Drake.

SMART DESIGN: The LOAD rests on the two bars supporting the seat, NOT on the screws as on similar chairs. All Drake folding chairs must comply with our 500lb. of static vertical weight standard. FEDERAL SPECIFICATION AA-C-291F



06.1.1



Chip-R FOLDING & STACKING CHAIR

ITEM# 1CHPR-BE Chip Beige/Black Seat
ITEM# 1CHPR-GR Chip Gray/Black Seat
Chip-R have a standard black seat

Chair dimensions when folded:
17 3/8" x 35" x 2 1/3" [inches]
45 x 89 x 6 [cm]

PATENTED STACKING SYSTEM WITH INTERLOCKING

PACKAGING
Chip-R come in a stack of 32.

Stack Weight:
[350 lb.] [160 kg]

Stack Dimensions:
18" x 36" x 83" [inches]
46 x 91.5 x 211 [cm]



Chip ACCESSORIES

EXTRA CHAIR PADS

Snap In-Snap Out
1/4" flexible padded resin seats, available in White or Black vinyl.



CHAIR PALLETS

Highly resistant chair pallet made of thermoformed tech HDPE 0.220" thick sheet. Capacity of 30 chairs or 300 lbs. of distributed load. It can be used with pallet jacks and chair hand trucks. Protects the first chair of the stack.



STACK COVERS

Water resistant nylon cover with PVC inner liner protects the stack during transportation and warehousing. Tailored for a 25 chair stack.



CHAIR HAND TRUCK

Strong and sturdy helper for moving stacks of chairs.

- 4 pneumatic wheels/10"
- Expanded metal backguard
- Aluminum fenders protect load from tires
- MAX LOAD: 500LBS.



DISTRIBUTED BY: